



## Technical comercial data

# CU-3.3 T.CU-6.3

Serie CUBETA – Versión 14-02-2024

### TECHNICAL DATA:

Material: PP copolymer of first quality, suitable for contact with food according to current regulations.

Colours: White standard. Consult for other colours.

Useful Volume: 3.3 litres

Volume to the edge: 3.7 litres

Weight of the rectangular bucket: 126 g. approx.

Weight of the lid: 56 g. approx.

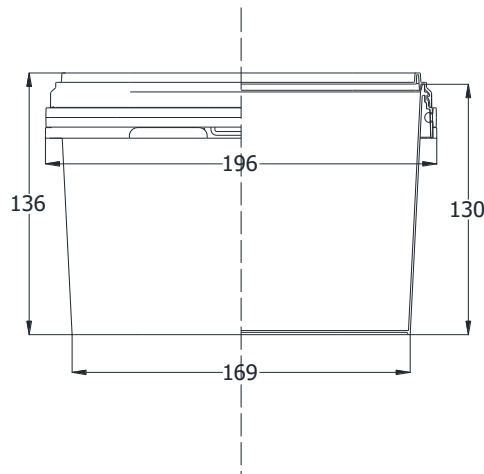
Weight of the handle (plastic): 6 g. approx.

Total Weight: 188 g. approx.



Design surface photographic finish: 80 x 620 mm (altura x perímetro).

### MEASUREMENTS:



Measurements in millimetres

### GROUPING OF TRANSPORT:

Rectangular buckets: 1080 rectangular buckets per pallet  
Pallet dimensions: 1180 x 979 x 1210 (see drawing)

Lids: 180 lids per box, this serves as a packaging of transportation

Box dimension: 445 x 210 x 915

